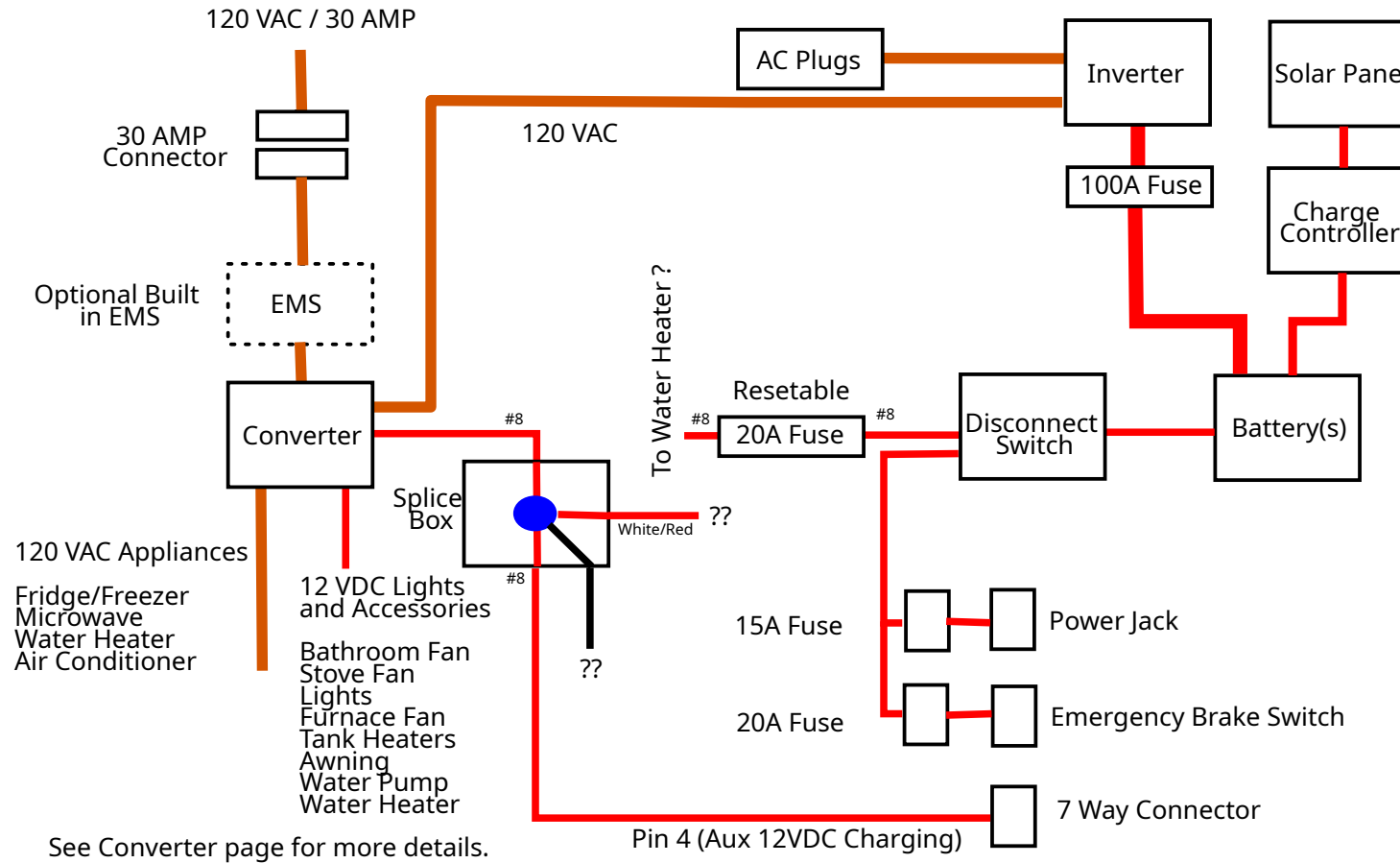


Not sure if this is correct. The inverter does have a bypass switch so it would make some sense to run the plugs through the inverter.



120 VAC Appliances  
Fridge/Freezer  
Microwave  
Water Heater  
Air Conditioner

12 VDC Lights and Accessories  
Bathroom Fan  
Stove Fan  
Lights  
Furnace Fan  
Tank Heaters  
Awning  
Water Pump  
Water Heater

See Converter page for more details.

12 VDC — [3A Fuse] — Awning Lighting  
Fuse behind switch / tank status panel

Geo Pro 19 FD		
sigmaIQ	Electrical System	
	Oct 2023	Rev A

Common Ground Assumed (not shown)

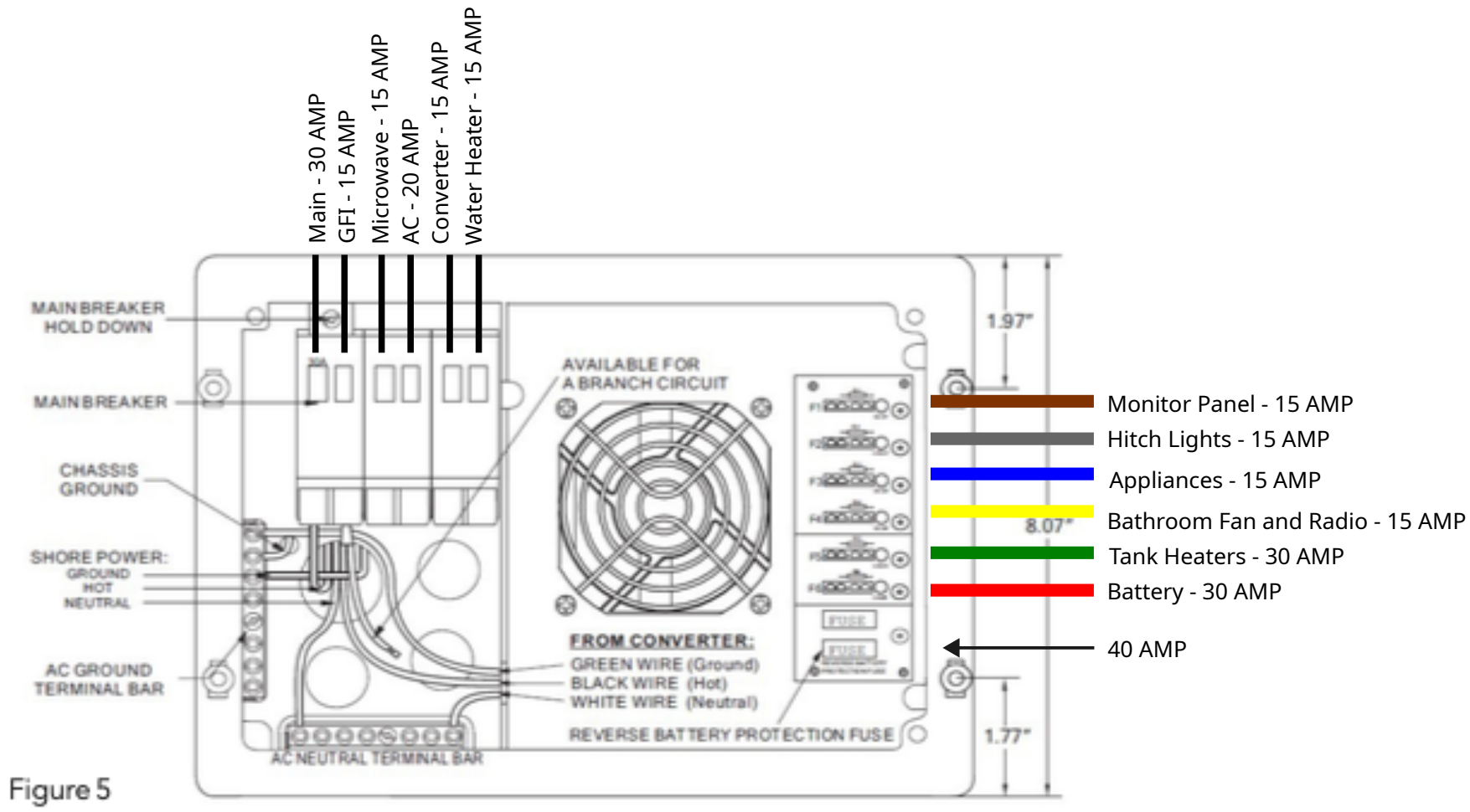


Figure 5

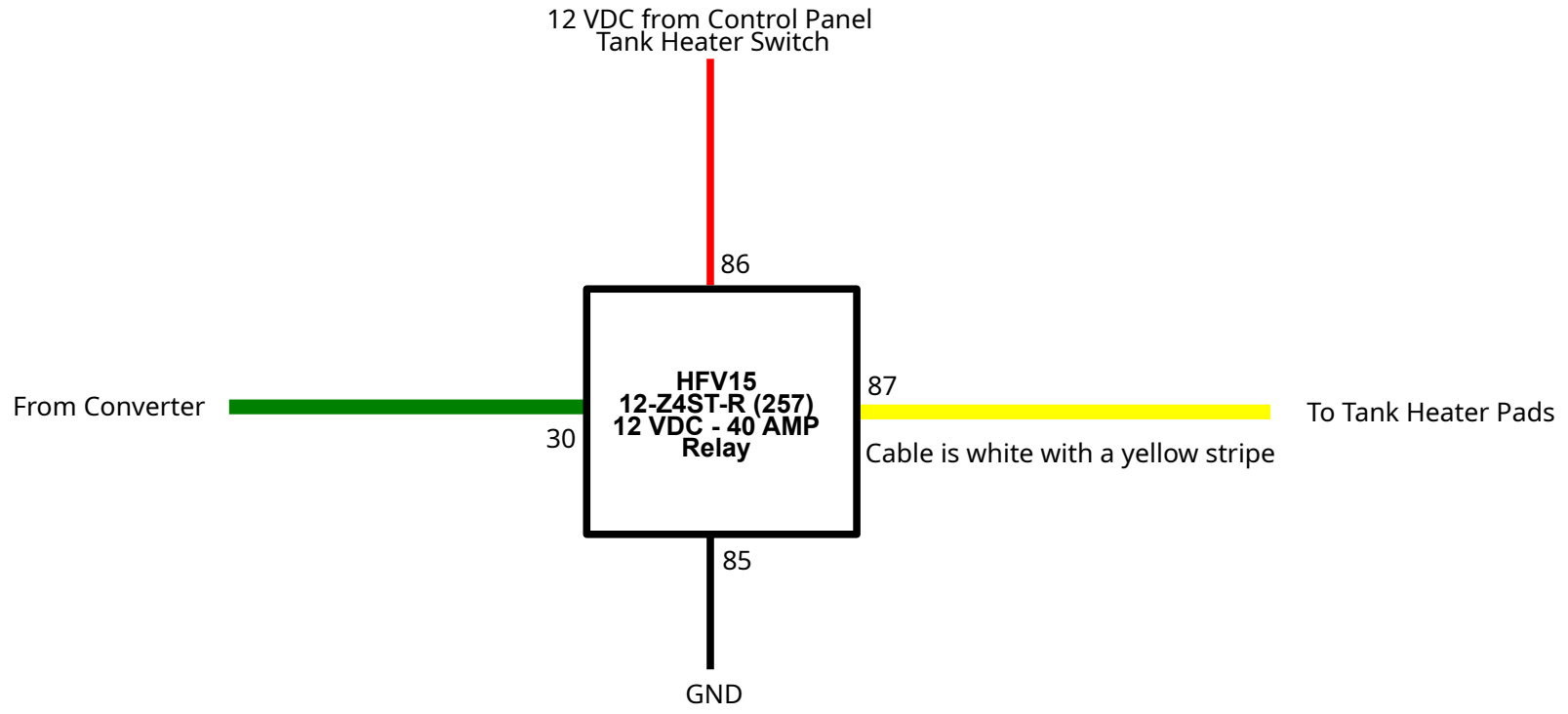
# Geo Pro 19 FD



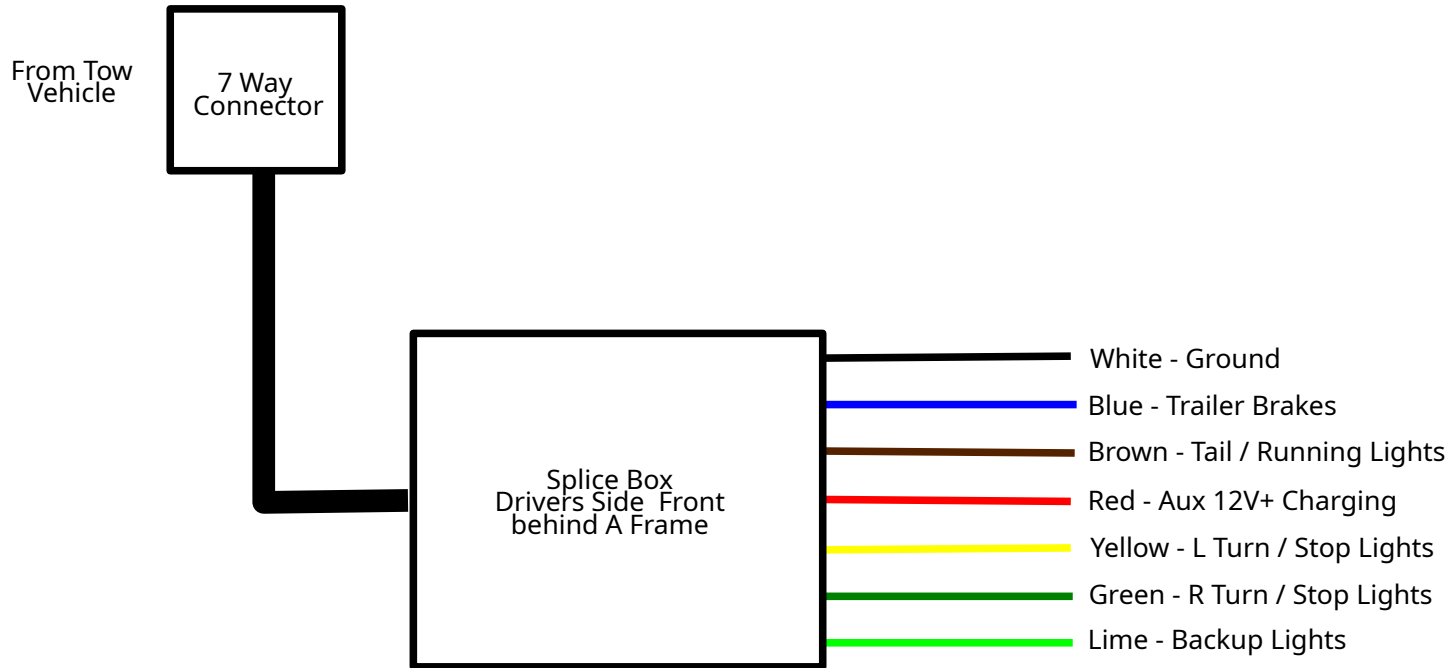
Converter Diagram

Oct 2023

Rev A



Geo Pro 19 FD		
sigmaIQ	Tank Heaters	
	Oct 2023	Rev A



Geo Pro 19 FD		
sigmaIQ	Trailer Lights	
	Oct 2023	Rev A